

# MicroLite Portable Screen

FIGURE 1

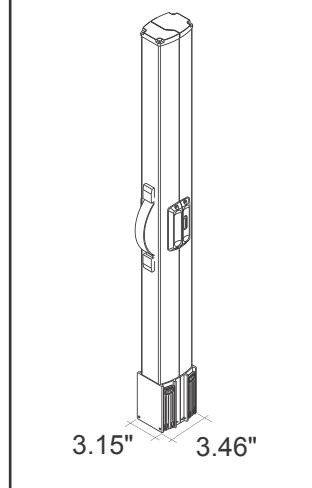


FIGURE 2

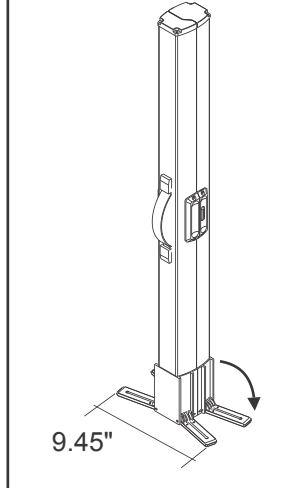


FIGURE 3

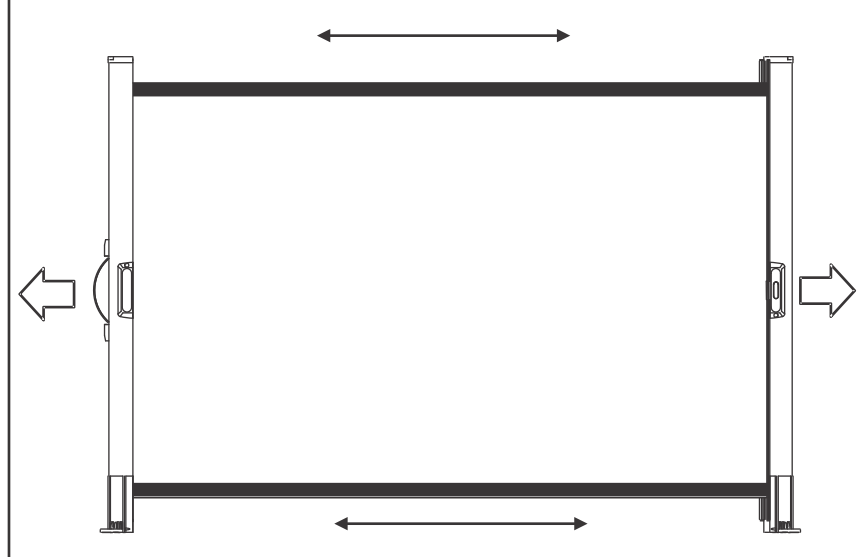
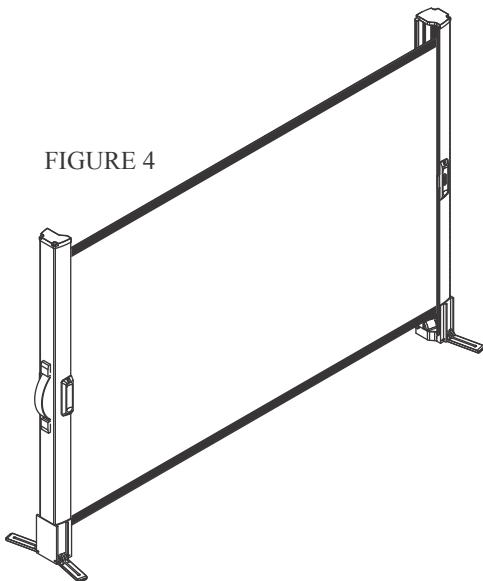


FIGURE 4



## Thank You For Choosing Our Portable Table-Top Projector Screen.

- **Prepare The Screen:** Open all four leg supports by folding each leg down 90° and locking it into place (See Figure 1 and Figure 2).
- **Setup The Screen:** Set the projector screen on stable, level surface with support legs facing down (Figure 2).
- **Open The Screen:** Hold the left side (side with carry handle) of the housing in your left hand and the right side of the housing in your right hand, and unlock screen by depressing two buttons (front and back) on right side of the housing with your thumb and index finger. Open the screen slowly by spreading each half of the housing in opposite directions until the screen is fully open. (Figure 3)
- **Use The Screen:** Position on flat and sturdy table-top for projection viewing. (Figure 4)
- **Store The Screen:** Follow the above steps in reverse order to close and store the screen. Be careful to close the screen with a gentle, slow motion to prevent damage to the screen surface; do not let screen retract freely or you may damage your screen.
- To close the leg supports, squeeze each leg together at the base and slowly rotate it towards the housing.

## SCREEN MAINTENANCE & PROPER OPERATING CONDITIONS

- Do not allow screen to be exposed to direct sunlight as it could fade the white matte screen surface.
- Do not place opened screen near doors, windows, or air vents where air movement could cause screen to move during presentation. Forceful air movement could damage screen surface.
- Provide proper adult supervision when using the screen around children.
- Clean the screen if necessary with warm water and a soft cotton cloth.